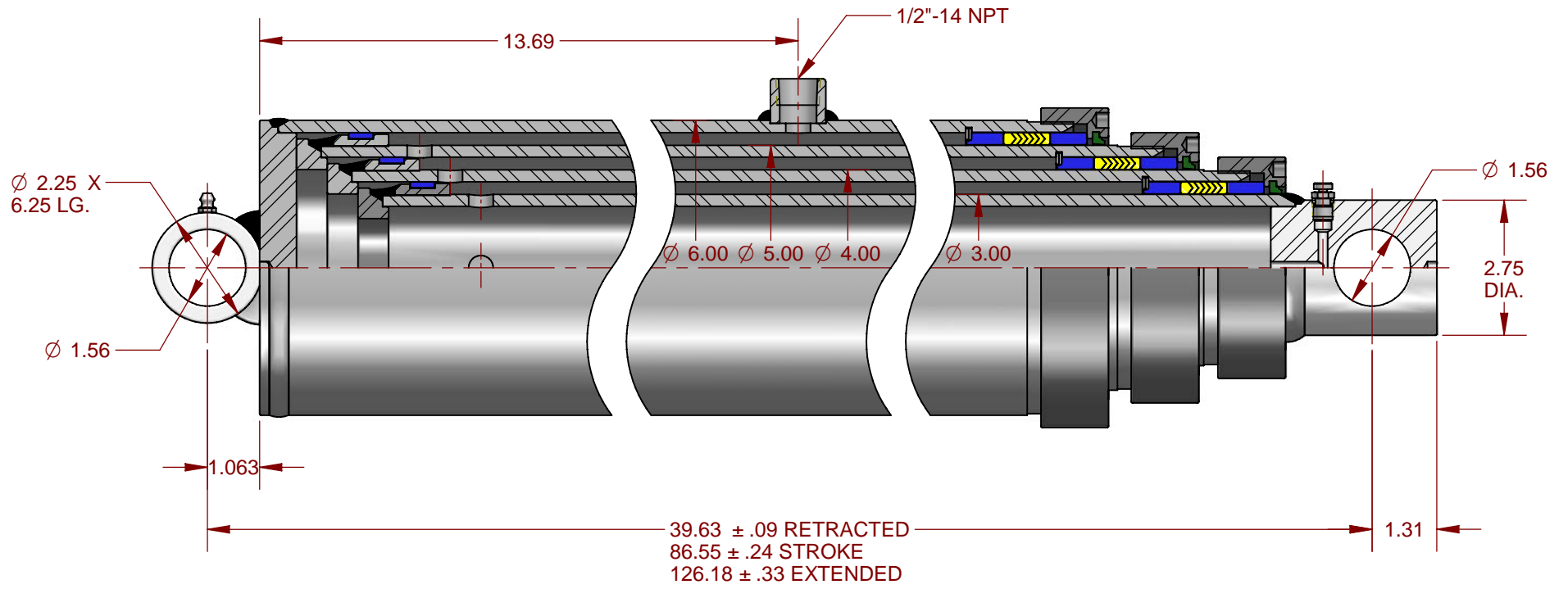
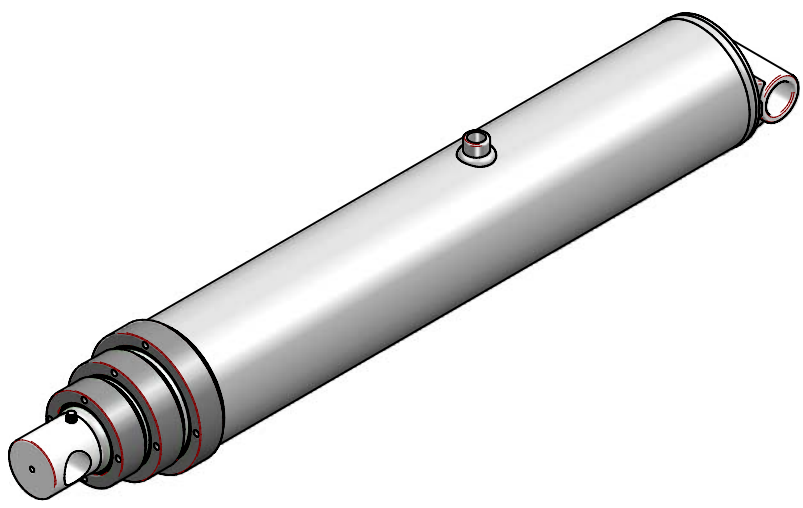


THESE ENGINEERING DRAWINGS HAVE BEEN PREPARED BY SOUTHERN HYDRAULIC CYLINDER, INC. ("SHC") BASED ON PARTICULAR INFORMATION AND DESIGN SPECIFICATIONS PROVIDED BY THE CUSTOMER. SHC ASSUMES NO RESPONSIBILITY FOR SUCH PARTICULAR INFORMATION OR DESIGN SPECIFICATIONS PROVIDED AND ASSUMES NO RESPONSIBILITY FOR ANY SPECIFIC APPLICATION OF THE PRODUCT RESULTING FROM THE DESIGN SPECIFICATIONS. CUSTOMER SHALL INDEMNIFY SHC AGAINST ANY CLAIM BY ANY PARTY FOR DAMAGES BASED ON ANY ERROR, OMISSION OR FAULT IN THE PARTICULAR INFORMATION OR DESIGN SPECIFICATIONS PROVIDED BY THE CUSTOMER.

THIS PRINT CONTAINS CONFIDENTIAL INFORMATION AND IS THE PROPERTY OF SOUTHERN HYDRAULIC CYLINDER, INC. AND IS NOT TO BE COPIED OR REPRODUCED WITHOUT THE EXPRESSED CONSENT OF SOUTHERN HYDRAULIC CYLINDER, INC.



39.63 ± .09 RETRACTED
 86.55 ± .24 STROKE
 126.18 ± .33 EXTENDED



NOTES:

1. SEAL KIT NUMBER: 53SA.
2. MAX. OPERATING PRESSURE: 2500 PSI.
3. PAINT: UN1263 RED OXIDE PRIMER.
4. OIL CAPACITY (GAL): 2.02 RETRACTED; 6.87 EXTENDED.
5. CYLINDER DRY WT. (LBS): APPROX 159.

SOUTHERN HYDRAULIC CYLINDER, INC.
 3020 Lee Highway Athens, Tennessee 37303

MACHINING TOLERANCES UNLESS OTHERWISE SPECIFIED ONE PLACE .X ± .1 TWO PLACES .XX ± .03 THREE PLACES .XXX ± .010 FOUR PLACES .XXXX ± .0010 ALL ANGLES = 2° BREAK ALL SHARP EDGES .010 X 45°	DRAWN BY	
	CHECKED	
	APPROVED	
	SCALE	

DO NOT SCALE DRAWING FOR MACHINING DIMENSIONS

CHANGE	NO	DATE	BY
CUSTOMER	STD SHC CYLINDER		
FILE	SE		

TELESCOPIC CYLINDER ASSEMBLY

DRAWING NO. **5390CT**